

Series RS and PSC

- Splitter with 2 to 6 outputs
- RF-power up to 0,5 Watt CW
- VSWR 1,3 : 1 max
- Linearity max. $\pm 0,5$ dB
- RF-connectors: standard BNC, TNC, SMA or other on request

The signal dividers of the series RS are resistive dividers which offer very good linearity over the entire frequency range. These dividers can be used also at low frequencies or DC.

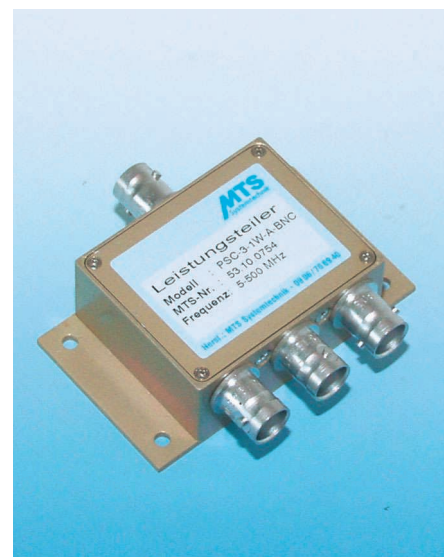
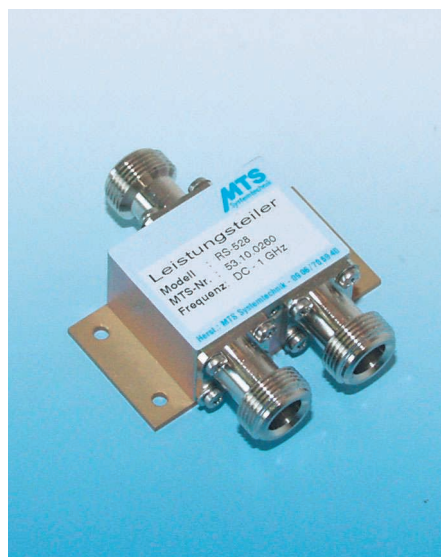
Isolation and insertion loss depend on the number of outputs. Therefore resistive dividers are suitable for measuring applications.

In any case it is important to terminate all inputs and outputs inclusive the unused outputs with the nominal impedance of the splitter.

The dividers are generally based on a resistive PI-element and can be used as signal combiners too.

Customized signal dividers are available on request (e. g. Y connected dividers with other technical data)

(At Y connected dividers each connector can be used as input or output.)



Resistive signal dividers

Technical data, series RS (guaranteed values at +25 °C)

Frequency range	DC – 1000 MHz				
Impedance	50 or 75 Ω				
VSWR	max. 1,3 : 1				
Linearity	max. $\pm 0,5$ dB				
Maximum RF-power	0,5 W CW				
Number of outputs	2	3	4	5	6
Isolation	18 dB	24 dB	30 dB	35 dB	40 dB
Insertion loss	10 dB	14 dB	17 dB	19 dB	21 dB
Splitt./Insertion loss*	6/7 dB	9,6/11 dB	12/13,5 dB	-	-

* only at Y connection (symmetric network)

Model designation

RS - 5 2 0 - S

Y-Splitter
(only on demand)

RF-connectors, female
0 = BNC
2 = TNC
4 = SMA
6 = 1.6/5.6
8 = N

Number of outputs (2 – 6)

Impedance
5 = 50 Ω
7 = 75 Ω

RS-series

Power splitter

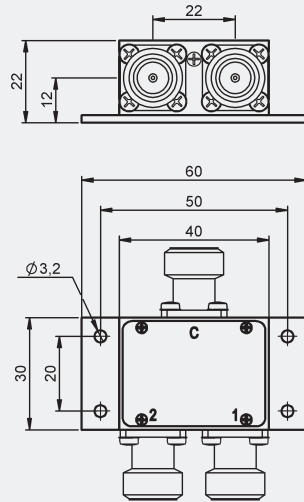
Technical data, series PSC (guaranteed values at +25 °C)

Model	PSC-2-1-A-BNC	PSC-3-1-A-BNC	PSC-3-1W-A-BNC	PSC-4-1-A-BNC
Frequency range	0,1 – 400 MHz	1 – 200 MHz	5 – 500 MHz	0,1 – 200 MHz
Outputs	2	3	3	4
Maximum RF-power	1 W CW	1 W CW	1 W CW	1 W CW
Isolation	15 dB	25 dB	15 dB	20 dB
Insertion loss	3 +1	4,8 +1	4,8 +1,4	6 +1
Impedance	50 Ω	50 Ω	50 Ω	50 Ω
RF-connectors (female)*	BNC	BNC	BNC	BNC

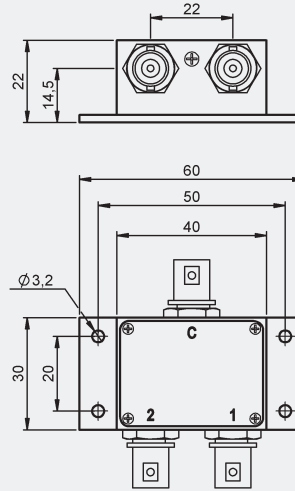
* others on request

Enclosure dimensions, series RS and PSC

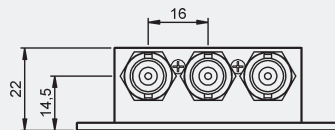
2-way with N



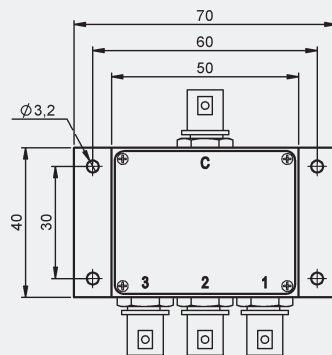
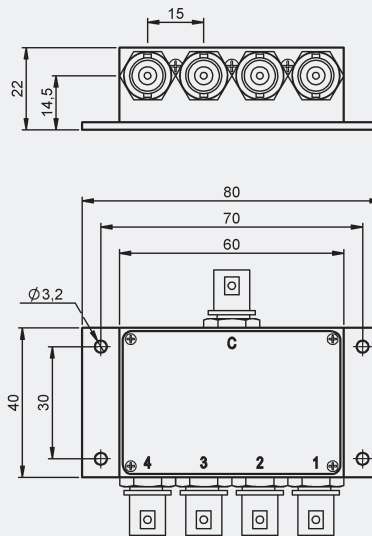
2-way with BNC



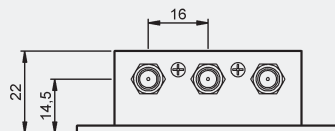
3-way with BNC



4-way with BNC



3-way with SMA



4-way with SMA

