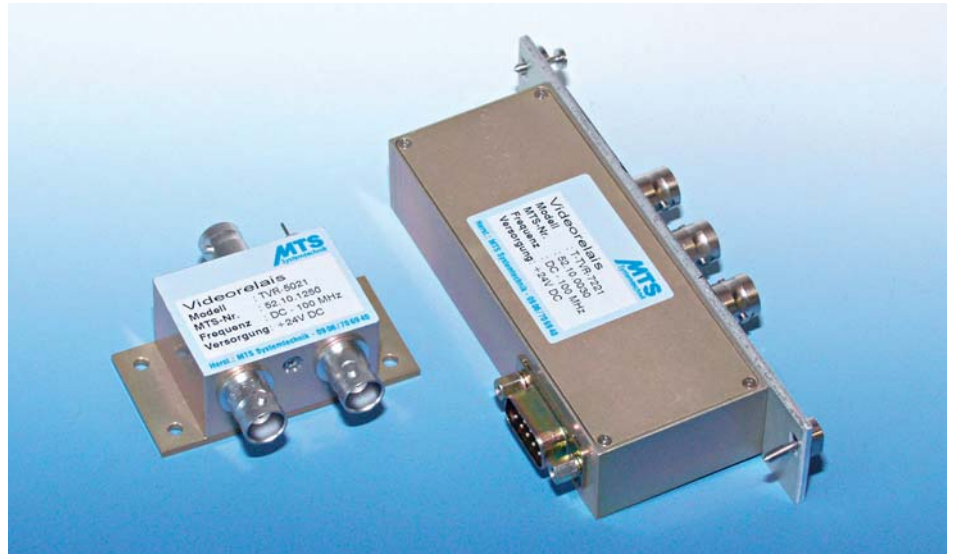
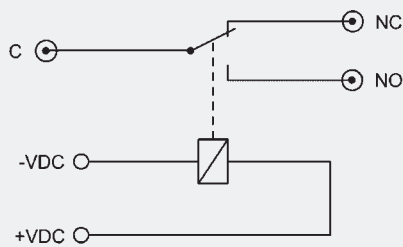


## Series TVR and T-TV

- For high resolution monitors and applications at the RF-band
- High insulation
- Low insertion loss
- Impedance optional 50 Ω or 75 Ω
- With BNC connectors (others on request)
- Available at short notice (mostly ex stock Donauwörth)
- Aluminium enclosures (RF shielded)
- Special types on request



### Configuration SPDT

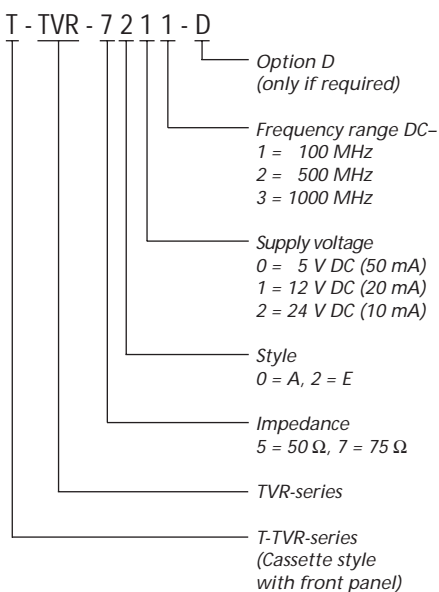


### Technical data (guaranteed values at +25 °C)

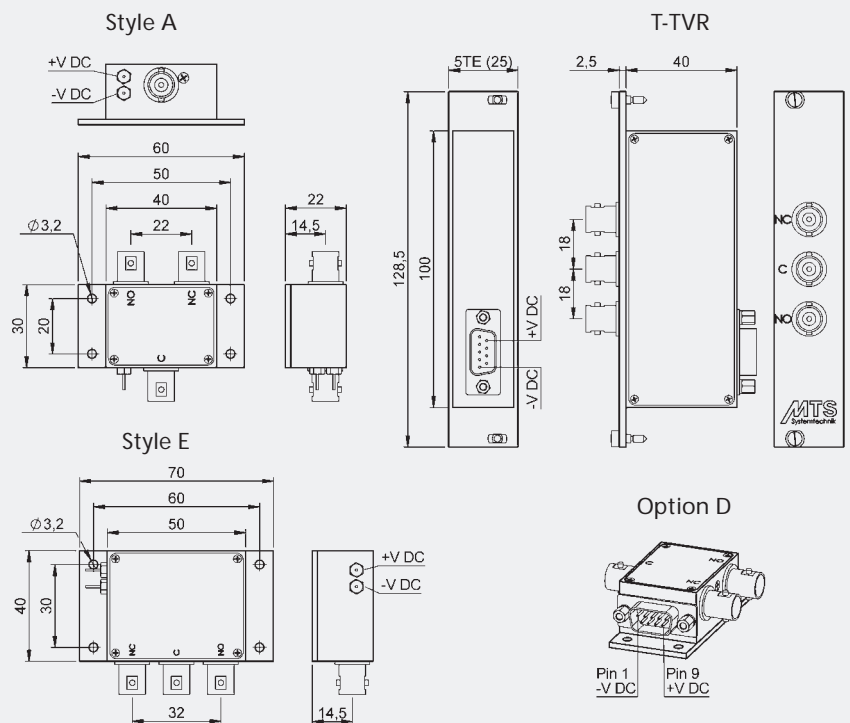
Frequency range	DC to 100 MHz	DC to 500 MHz	DC to 1000 MHz
Insolation	70 dB	60 dB	50 dB
Insertion loss	0,20 dB	0,30 dB	1,0 dB
VSWR	1,2 : 1	1,4 : 1	2,0 : 1
Maximum RF-power*	10 W CW	10 W CW	10 W CW
Switching time	15 ms	15 ms	15 ms
Life cycles	10 <sup>6</sup> cycles	10 <sup>6</sup> cycles	10 <sup>6</sup> cycles
Type	A, E, T-TV	A, E, T-TV	A, E, T-TV
Option D	The control lines are connected with a 9-pole-SUB-D connector (standard at T-TV) instead of DC-feedthrough filters.		

\*cold switching

### Model designation



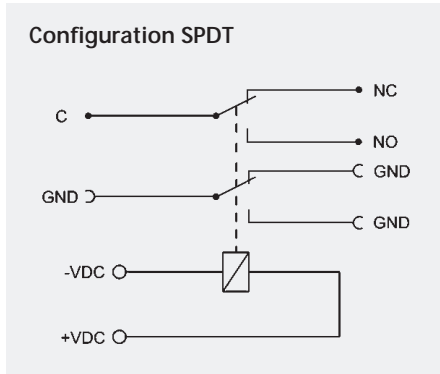
### Dimensions, serie TVR and T-TV



All dimensions in mm

## Series TVR-70x9

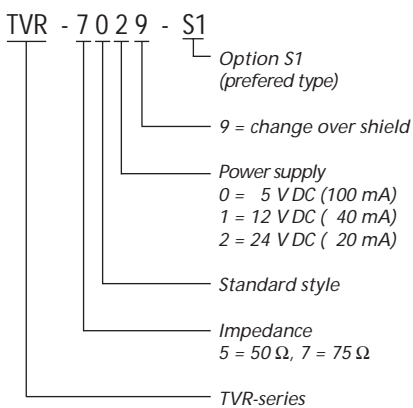
- RF-relays with switched shield
- For high resolution monitors and applications at the RF-band
- Simultaneously switching of the inner conductor and the shield
- Low insertion loss
- Impedance optional 50 Ω or 75 Ω
- With BNC connectors (floating)
- Available at short notice (mostly ex stock Donauwörth)
- Aluminium enclosures (RF shielded)
- Special types on request



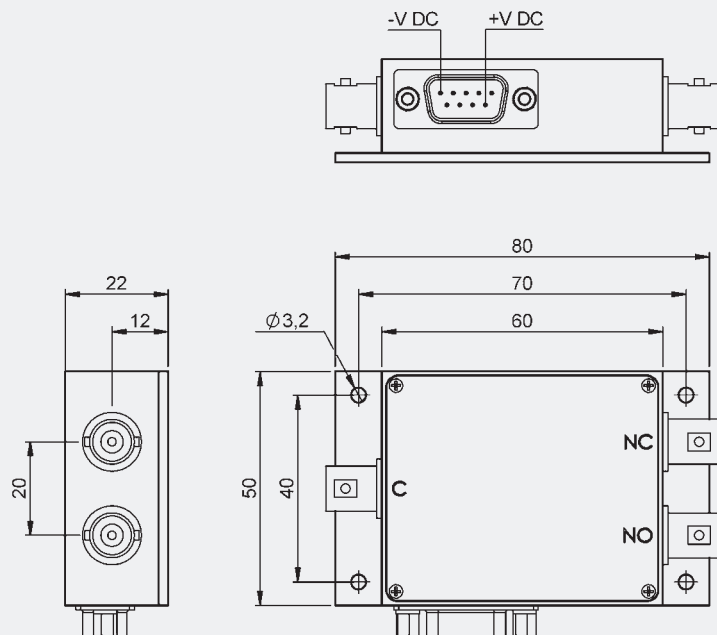
### Technical data (guaranteed values at +25 °C)

Frequency range	DC to 32 MHz
Insolation	40 dB
Insertion loss	0,2 dB
Maximum RF-power	5 W CW (cold switching)
Switching time	15 ms
RF-connectors	BNC, female
Option S1	The control lines are connected with a 9-pole-SUB-D connector.

### Model designation



### Dimensions, series TVR-70x9-S1



All dimensions in mm