

RG series

Low weight enclosures milled out of a full aluminum block with rounded edges. Ideal for batteries or portable power supply. The RG series is used in the medical industry also.

Material

- Enclosures
Aluminum base alloy

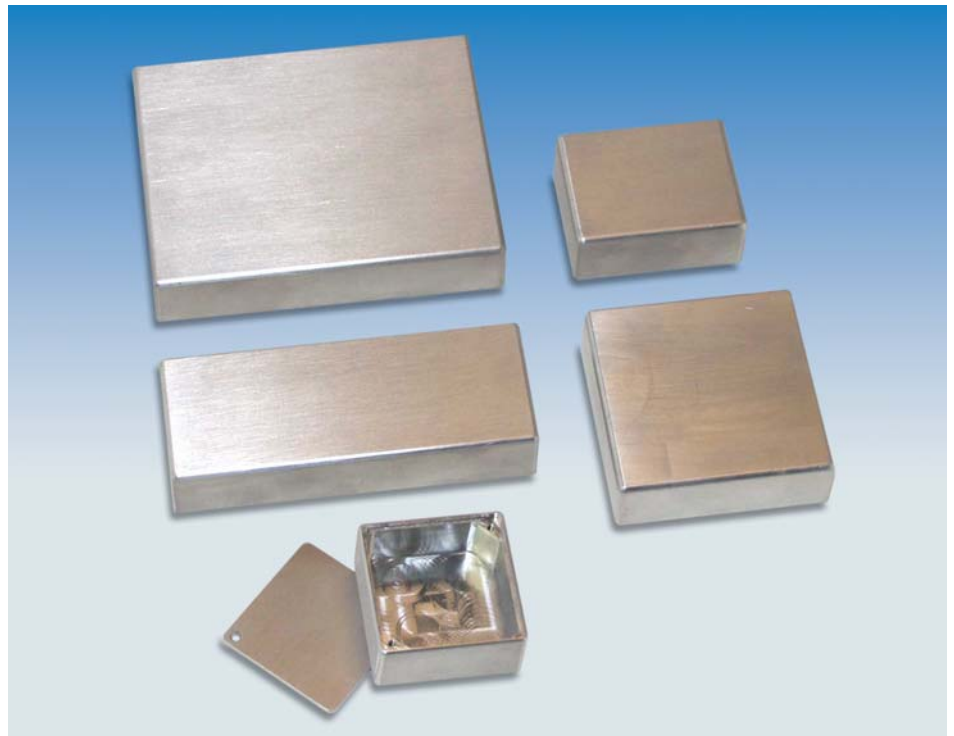
- Cover
Aluminum base alloy

Option (on request)

- Material
- Surface (colored anodize)
- Treatment and colored anodizing as desired
- Other dimensions are possible

Content of delivery

Enclosures include cover and screws



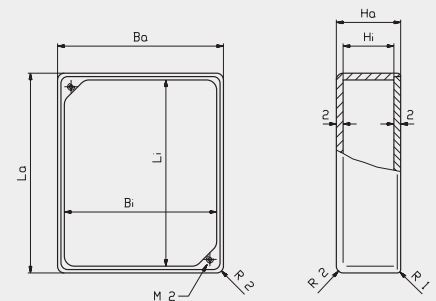
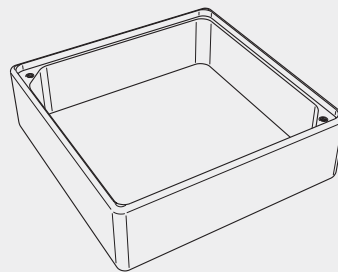
Configuration of model designation

RG6 - TR

Surface
TR, TA, TN, TE + color
(see technical information)

Model

Dimensions, RG series



Dimensions in mm

Standard design

| Design | dimensions (mm) | | | | | |
|--------|-----------------|----|----|----|----|----|
| | La | Li | Ba | Bi | Ha | Hi |
| RG1 | 39 | 35 | 39 | 35 | 19 | 15 |
| RG2 | 49 | 45 | 49 | 45 | 19 | 15 |
| RG3 | 59 | 55 | 59 | 55 | 19 | 15 |
| RG4 | 79 | 75 | 79 | 75 | 19 | 15 |
| RG5 | 99 | 95 | 99 | 95 | 19 | 15 |
| RG6 | 49 | 45 | 39 | 35 | 19 | 15 |
| RG7 | 59 | 55 | 39 | 35 | 19 | 15 |
| RG8 | 79 | 75 | 39 | 35 | 19 | 15 |
| RG9 | 99 | 95 | 39 | 35 | 19 | 15 |
| RG10 | 59 | 55 | 49 | 45 | 19 | 15 |
| RG11 | 79 | 75 | 49 | 45 | 19 | 15 |
| RG12 | 99 | 95 | 49 | 45 | 19 | 15 |
| RG13 | 99 | 95 | 79 | 75 | 19 | 15 |