

EH series

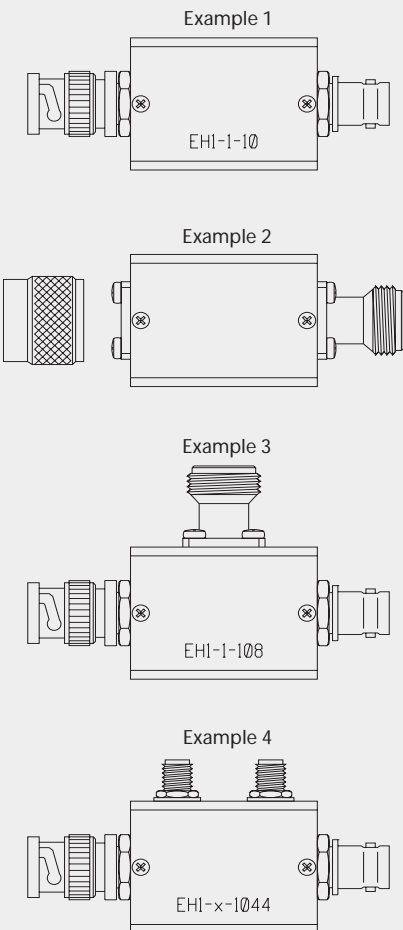
The enclosures are manufactured out of an aluminum tube and are closed at the ends with flat screws mounted covers on both sides.

Especially, they are suitable for building up attenuators or similar passive elements.

- Enclosures
Aluminum base alloy
- Cover
Aluminum base alloy
2 mm thick, mounted with screws M2x6
- Content of delivery
Enclosures with two flat covers including mounting material and RF-connectors.

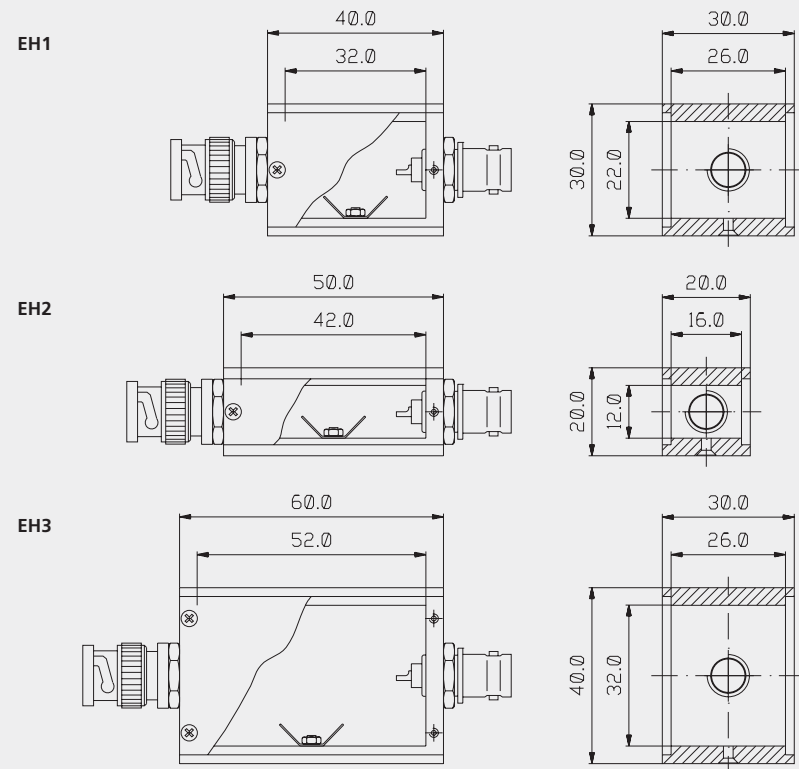


RF-different connecting interfaces, EH series



| | |
|------------------------|--------------------|
| BNC female: | 0 = 50 Ω, M = 75 Ω |
| BNC male: | 1 = 50 Ω, N = 75 Ω |
| TNC female: | 2 = 50 Ω, P = 75 Ω |
| TNC male: | 3 = 50 Ω, R = 75 Ω |
| SMA female: | 4 = 50 Ω |
| 1.6/5.6 female: | 6 = 75 Ω |
| 1.6/5.6 male: | 7 = 75 Ω |
| N female: | 8 = 50 Ω, S = 75 Ω |
| N male: | 9 = 50 Ω, T = 75 Ω |
| SMB female: | A = 50 Ω |
| SMC female: | C = 50 Ω |

Dimensions, EH series



| Enclosure | Dimensions (mm) | | |
|-----------|-----------------|----|----|
| | La | Ba | Ha |
| EH1 | 40 | 30 | 30 |
| EH2 | 50 | 20 | 20 |
| EH3 | 60 | 40 | 30 |

All dimensions in mm

Configuration of model designation

